



**HERITAGE**<sup>™</sup>  
MANUFACTURING CO.



# **RANGE SIDE**

**INSTRUCTION MANUAL**

## **GENERAL SAFETY, OPERATING INSTRUCTIONS AND LIMITED WARRANTY**

### **READ CAREFULLY BEFORE USING YOUR FIREARM**

**Important: Keep this manual with your firearm.**

The information contained in this manual is useful, both for beginners and experienced shooters. In addition to important information about the function, cleaning, and care of the firearm, the manual contains instructions that will be very helpful in shooting safety. The most important rule of safe firearm handling is always keep the muzzle pointed in a safe direction.



# RANGE SIDE

HeritageMfg.com



/heritagemfg



@heritagemfginc



/heritagemfg

# CONTENTS




Firearm Safety.....	5
Get To Know Your Shotgun .....	8
Ammunition .....	10
Operating Instructions.....	12
Care and Maintenance.....	25
Exploded View .....	26
Heritage Service Policy .....	28
Limited Warranty .....	30



## WARNING

The safety warnings in this booklet are important. By understanding the dangers inherent in the use of any firearm, and by taking the precautions described herein, you can safely enjoy your Heritage™ firearm. Failure to follow any of these warnings could result in serious injury to you or others, as well as severe damage to the firearm or other property.

## SIGNAL WORDS AS DEFINED BY ANSI Z535.6 AND Z535.4 STANDARDS.


 <b>DANGER</b>	DANGER indicates a hazardous situation which, if not avoided, will result in death or serious injury.
 <b>WARNING</b>	WARNING indicates a hazardous situation which, if not avoided, could result in death or serious injury.
 <b>CAUTION</b>	CAUTION indicates a hazardous situation which, if not avoided, could result in minor or moderate injury.
<b>NOTICE</b>	NOTICE is used to address practices not related to physical injury.

## FIREARM SAFETY

 <b>DANGER</b>
When a firearm discharges, the bullet or shot can strike a person, resulting in death or serious bodily injury.

The three basic keys to safe handling of firearms:

- 1. KEEP YOUR FINGER OFF THE TRIGGER UNTIL YOU ARE READY TO FIRE.** If you maintain good trigger discipline, it is extremely unlikely the firearm will fire.
- 2. KEEP THE MUZZLE POINTED IN A SAFE DIRECTION.** Even if the firearm discharges, if the muzzle is pointed in a safe direction, no one will be injured.
- 3. NEVER TRUST ANY SAFETY MECHANISM.** If you adopt the attitude that you will not trust any safety mechanism, you will be vigilant about keeping your finger off the trigger and keeping the muzzle pointed in a safe direction.

 <b>WARNING - KNOW YOUR TARGET</b>
Never fire at targets at close range. Ricochets can and do cause death or serious bodily injury. What constitutes "close range" depends on many factors including target material, bullet caliber and angle of impact.

**KNOW WHAT IS BEHIND YOUR TARGET.** Unless you are shooting into a bullet trap designed to capture the type of ammunition you are firing, projectiles may pass through the target and strike anyone or anything beyond. Bullets can travel miles.

**ALWAYS WEAR HEARING PROTECTION.** Firearms are loud. The sound they generate is greater indoors. Repeated exposure to loud noises can cause deafness. Hearing protection is rated by decibel reduction. Look for “dB” reduction of 30 or more when purchasing ear protection. Modern ear protection can allow normal hearing until the sound from the discharge reaches the ear. Significant protection can be achieved by layering hearing protection, for example, wearing 30dB rated foam plugs along with 20dB rated ear muffs.

**ALWAYS WEAR EYE PROTECTION.** In normal operation, firearms emit hot high-velocity gases, particles and metal. These materials flying into your eye can cause blindness. Protect your vision with proper eye protection. Any eye protection may be better than none, but look for ANSI Z87.1-2003 certified eyewear for the best protection.

**NEVER HANDLE FIREARMS WHILE UNDER THE INFLUENCE OF DRUGS OR ALCOHOL.** Firearms are dangerous. Handling firearms while impaired by drugs or alcohol is foolhardy and can result in serious injury or death. This warning includes prescription drugs that contain a warning about using machinery or driving while taking the medication.

**MODIFIED FIREARMS ARE DANGEROUS, AND USE CAN RESULT IN SERIOUS INJURY OR DEATH.** “Trigger jobs,” polishing original components or installing aftermarket parts can cause a firearm to function in ways different than intended. Some such work may also be illegal.

**DAMAGED FIREARMS ARE DANGEROUS, AND USE CAN RESULT IN SERIOUS INJURY OR DEATH.** Repairs should always be made by a qualified gunsmith or by a factory-authorized repair site. Work done by those unfamiliar with the design can cause a firearm to function in ways different than intended.

**NEVER ATTEMPT TO DISASSEMBLE OR CLEAN A LOADED FIREARM. DOING SO CAN RESULT IN SERIOUS BODILY INJURY OR DEATH.** How often have we heard “But it went off while I was cleaning it!” or, “I did not know it was loaded!” or, “It was jammed, and I tried to take it apart!”?

**IF A FIREARM GOES OFF, THERE WAS A ROUND OF AMMUNITION IN THE CHAMBER.** Period. “Clear” (or empty) the firearm of all ammunition before disassembling or cleaning.

As owner of your new Heritage firearm, you are responsible for: (1) Keeping your finger off the trigger; (2) Pointing the muzzle in a safe direction; (3) Removing ammunition from the firearm; and (4) Looking and feeling in the chamber to confirm the firearm is empty. An empty (unloaded) firearm cannot fire.

## FIREARM SAFETY SYSTEMS

Firearm safety is supported by a system. With your shotgun, the system is made up of the following:

- 1. You!** Your involvement in safety cannot be overemphasized. No safety component can keep your finger off the trigger and the muzzle pointed in a safe direction. Also, you are the key to never trusting any of the mechanical parts of the safety system.
- 2. Manual Safety.** Always use the manual safety. The manual safety button is located on top of the receiver and must be manually pressed to the desired position.
- 3. Trigger Guard.** This is a physical obstruction that helps prevent unintended pressing of the trigger. Do not modify the trigger guard.
- 4. This Manual.** Use this manual to learn about your rifle and to help you use your rifle safely. If you use the manual, you will be a long way toward being a knowledgeable and safe firearms owner.
- 5. Online Resources.** Heritagemfg.com hosts a library of videos concerning safety and related issues. This library is being supplemented and revised. Please visit the site and take advantage of what is available there as part of your education regarding using your rifle in a safe fashion.

## GET TO KNOW YOUR SHOTGUN



## FIREARMS STORAGE AND GUN LOCKS

How you secure your firearm is a personal choice based on the unique circumstances in your home, business or vehicle and the laws of the state where your firearm is located. Any choice you make about securing your firearms will present advantages and disadvantages. You must weigh those advantages and disadvantages and choose which security method is best for you and those around you.



### WARNING - LOCKING

Never lock a loaded firearm. Unlocking a loaded firearm makes it more difficult to maintain trigger discipline and to keep the muzzle pointed in a safe direction.



### WARNING

Securing your firearm may inhibit access in a defensive situation and may result in injury or death.



### WARNING

Failure to secure a firearm may result in injury or death. Properly securing a firearm means storing your firearm unloaded and securely locked, with all ammunition in a separate location.

## AMMUNITION

### **WARNING**

Using the wrong ammunition in your shotgun can result in serious bodily injury and damage to your shotgun. Make certain the ammunition you load is the same caliber as is marked on the shotgun.

### **WARNING - AMMUNITION AND INDUSTRY STANDARDS**

Use only clean, dry factory-loaded ammunition. Old, damaged, wet or oily ammunition may fire at pressures higher than industry standard, causing injury to you and bystanders or damage to your shotgun.

Do not use reloaded ammunition in your shotgun. Its firing pressures are unknown and may well exceed industry standard, causing injury to you and bystanders or damage to your shotgun.

Odd sounds are signs of trouble. If a round "does not sound right" when it goes off, stop firing right away. A bullet may be stuck in the barrel. Firing the shotgun in this condition will cause injury to you and bystanders or damage to your shotgun.

If you hear any odd sounds when shooting, stop firing immediately. If there is any reason to suspect that the barrel is obstructed, immediately unload the firearm and make it clear. Visually inspect the bore for blockage. It is not sufficient to merely look in the chamber. Shot and/or the wad or the bullet may be lodged in the barrel where it cannot be easily seen. If you do not see light when inspecting the bore, something is stuck in the barrel. Do not fire the shotgun again and take the shotgun to a qualified gunsmith or contact the Heritage Service Department at 229-210-2666 or 800-845-3776.

### **WARNING**

If the bore is obstructed, DO NOT attempt to shoot it out by using another cartridge or by blowing it out with a blank. Such techniques can generate excessive pressure, damage the firearm and cause serious injury.

The use of reloaded, "remanufactured," hand-loaded, or other nonstandard ammunition voids all warranties. Improperly loaded ammunition voids all warranties. Improperly loaded ammunition can be extremely dangerous. Severe damage to the firearm and serious injury to the shooter or to others may result. Always use ammunition that complies with the industry performance standards established by the Sporting Arms and Ammunition Manufacturers Institute, Inc., of the United States, (SAAMI).

### **WARNING - LEAD AND HAZARDOUS CHEMICAL EXPOSURE**

Discharging firearms in poorly ventilated areas, handling, and /or cleaning firearms or handling ammunition can expose you to chemicals including lead which is known to the state of California to cause cancer and birth defects or other reproductive harm. For more information, go to [www.P65Warnings.ca.gov](http://www.P65Warnings.ca.gov)

Have adequate ventilation at all times. Wash hands thoroughly after exposure with soap and water.

**SHOOTING OR CLEANING GUNS MAY EXPOSE YOU TO LEAD**

### **WARNING**

This shotgun is chambered in .410 Bore for use of 2½" shells only! Never attempt to load 3" shells!

Only use factory-loaded ammunition that is suitable for use in a tubular magazine!

Never use non-standard, reloaded, or hand-loaded ammunition. Never use shells with protruding, pointed or conical point slugs. Never use shells that have a slug protruding beyond its crimp.

We disclaim any responsibility for incidents that occur through the use of faulty, non-standard, non-suitable, reloaded or hand-loaded ammunition.

## MANUAL SAFETY

These shotguns are manufactured with a manual safety - USE IT!

### To engage the safety:



1. When the manual safety is on (safe position), and the trigger is pulled, the cocked hammer will strike the firing pin, but the firing pin will not strike a cartridge's primer and discharge a bullet.



2. When the manual safety is off (fire position), and the trigger is pulled with a cocked hammer, the shotgun will fire!

## NOTICE

Your shotgun is equipped with the manual safety shown above. A manual safety is no substitute for safe handling.

This shotgun's hammer has a 'rest position' that can add additional safety:



3. If the hammer is in the rest (safe) position, and the trigger is pulled, the hammer should not move and strike the firing pin. The cartridge will not be fired.



4. If the hammer is in the cocked (fire) position, and if the manual safety is off, pulling the trigger will fire the cartridge!

## PUTTING THE HAMMER IN THE REST POSITION:

The hammer can be cocked either manually or by cycling the lever.

Keep the hammer in the rest position until you are ready to shoot.

NOTE:

1. Make sure that the barrel is pointed in a safe direction.
2. Get a stable grip on the shotgun, with your hand on the shotgun in shooting position.
3. Place your thumb on the hammer and firmly hold the hammer back with your thumb.
4. While firmly holding the hammer back with your thumb, pull the trigger slightly to release the hammer from cocked position.
5. Immediately remove your finger from the trigger.
6. Slowly and carefully allow the hammer to lower to 'rest position'
7. Be extremely careful! If hammer slips through your thumb, the cartridge can fire!

## NOTICE

This shotgun has a "trigger stop" mechanism. The lever must be completely closed and pressing the trigger stop for the shotgun to fire.



## LOADING YOUR FIREARM

### Loading the Magazine:

The magazine is loaded through the port on the receiver's right side.

Always make sure that shells are of proper gauge and length, as designated on the barrel!

1. Make sure that the barrel is pointed in a safe direction, the hammer is in the rest position, and the manual pin safety is on (safe position).
2. Slowly and carefully push the crimp end of the shell against the loading port cover to make it open. Then keep pushing the shell until it is completely inside the magazine tube. (Fig. 3-5)



3. Insert the next shell in the same manner, pushing down the cover with the shell, then pushing the preceding shell farther into the magazine tube.
4. Repeat this procedure until the desired number of shells are loaded into the magazine.
5. Do not force and try to exceed the recommended magazine capacity of your shotgun.

## WARNING

A shell can be loaded manually into the chamber, before loading any shell into the magazine.



**WARNING**

Do not load the chamber manually if there are any shotshells in the magazine!

**Loading the Chamber:**

1. With an empty magazine tube, you have the option of opening the action, placing a shell into the chamber with the shotshell partially inserted into the barrel and then closing the action.
2. If the magazine tube is loaded with shotshells, then you must cycle the lever to load a round in the chamber.

**WARNING**

Always make sure that shells are of proper gauge and length, as designated on the barrel!



**Unloading Instructions:**

1. Make sure that the barrel is pointed in a safe direction, and the manual safety is on (safe position).
2. With your finger off the trigger, push the lever downward fully to eject any shell in the chamber. Then pull the lever upward fully.
3. Repeat this procedure in the same manner, cycling all remaining shells from the magazine to the chamber, then ejecting them out until the firearm is completely empty.
4. With the receiver open, visually and manually check that the chamber and magazine tube are empty.

**Firing Instructions:**

1. Make sure that the barrel is pointed in a safe direction until you are on target.
2. Load the chamber (and the magazine if desired) as instructed in Loading Instructions.
3. Turn the manual safety to the off (fire) position.
4. (If hammer is not already cocked) firmly draw the hammer back with your thumb to the cocked position.
5. Firmly shoulder the gun, take aim, and pull the trigger to fire!

**WARNING**

Your shotgun is now ready to fire!

 **WARNING**

The bolt must be completely closed to fire the shotgun. This shotgun has a "trigger stop" mechanism. The Lever must press the "trigger stop" or the trigger will not fire the shotgun. Firmly grip the stock and lever as shown (Fig 5 and 6).

 **WARNING**

The trigger stop is not a safety. Never rely on the trigger stop mechanism to prevent accidental discharge.

**To chamber a round from a loaded magazine tube:**

1. Push the lever downward fully to extract and eject the fired shell case from the chamber.
2. Close the action by pulling the lever rearward towards the stock to transfer a new shell from the magazine into the chamber.
3. The hammer is cocked and your shotgun is now ready to fire again. Pull the trigger only when you are on target and ready to shoot another round.
4. To fire additional shells from the magazine, repeat steps 1, 2 and 3.

**SIGHT ADJUSTMENT**

Your shotgun is equipped with sights. The style and adjustment system may vary between models. Shoot a group of shots from 25 meters, with the sights in the middle position of the elevator. This should be the proper setting from the factory.

 **WARNING**

Do not adjust the sights of a loaded gun.

1. Make sure the firearm is unloaded. Keep the muzzle pointed in a safe direction.
2. Elevation Adjustment: To adjust elevation on the rear sight, pull the rear sight upward using one hand, and with the other hand, move the elevator forward to make the sight shorter or rearward to make the sight taller. The taller you set the rear sight, the higher the point of impact will be.
3. Windage Adjustment: To adjust the windage, simply move the front sight left or right by tapping it carefully using a brass punch and a hammer. (If the shot is left of the target, move the front sight to the left. If the shot is right of the target, move the front sight to the right.)

## MAGAZINE / MAGAZINE PLUG

Your shotgun comes with a magazine plug, either installed in the magazine or included in the box. This plug reduces the magazine tube's capacity to 2 (two) shells.

### WARNING

Completely unload the shotgun and check the chamber and magazine before removing or installing the magazine plug.

Keep the muzzle pointed in a safe direction.

Wear eye protection while removing or installing the magazine plug. The magazine cap and magazine plug are under spring tension. The magazine spring can be ejected from the magazine tube if the instructions below are not followed.



### Installing the Magazine Plug:

1. Confirm that the shotgun is unloaded and that the chamber and magazine tube are empty.
2. Loosen and remove the magazine cap retaining screw located on the bottom of the magazine tube. (Fig. 1)
3. While unscrewing the magazine cap screw, keep pressure on the cap and then slowly pull the cap out of the magazine tube until you no longer feel tension from the spring.
4. Insert the threaded tip of the magazine plug into the threaded hole on the magazine cap with your fingers. (Fig. 2-3)
5. Replace the magazine cap (with magazine plug installed on it) by inserting it into the magazine tube while pushing down the magazine spring.
6. Replace the magazine cap retaining screw and tighten it.

### Removing the Magazine Plug:

1. Confirm that the shotgun is unloaded and that the chamber and magazine tube are empty.
2. Loosen and remove the magazine cap retaining screw located on the bottom of the magazine tube. (Fig. 1)
3. While unscrewing the magazine cap screw, keep pressure on the cap and then slowly pull the cap out of the magazine tube until you no longer feel tension from the spring.
4. Unscrew the magazine plug from the magazine cap with your fingers. (Fig. 2-3)
5. To replace the magazine cap, you must apply pressure to the magazine spring and insert the cap. Maintain pressure on the cap while it's under tension from the spring.
6. Replace the magazine cap retaining screw and tighten it.

## CHOKE / CHOKE TUBES

Your shotgun may be equipped with a threaded choke tube system and uses the Beretta Benelli Mobil® type threads and choke tubes.

Use only the appropriate gauge and type of choke tubes on your shotgun.

Periodically remove and clean the choke tubes and the choke threads in the barrel.

Periodically check that the choke tube is tight and firmly seated.



Never attempt to remove or install a choke tube on a loaded firearm.



Never fire a shotgun without a choke tube properly installed. Permanent damage to the barrel will result.

### Removing the Choke Tubes:

1. Confirm that the shotgun is unloaded and that the chamber and magazine are empty.
2. Use the choke tube wrench supplied. Align stepped end of the wrench with slots in the choke tube, then push the wrench into the choke tube.
3. Turn the wrench counter-clockwise to loosen the choke tube. Then unscrew the choke tube with your fingers to remove it completely out of the barrel.

### Installing the Choke Tubes:

1. Confirm that the shotgun is unloaded and that the chamber and magazine tube are empty.
2. Before installing a choke tube, check internal threads in the barrel, as well as the threads on the choke tube, and make sure that they are clean and undeformed. Do not use bent or deformed choke tubes/ barrel threads, this can result in damage or personal injury.
3. Lightly oil the threads, both on the choke tube and the barrel, with quality gun oil.
4. Use your hand to place the choke tube into the barrel muzzle. Start threading the choke tube by hand to keep from cross-threading.
5. Use the choke tube wrench supplied. Align stepped end of the wrench with slots in the choke tube then push the wrench into the choke tube.
6. Turn the wrench clockwise to tighten the choke tube. Do not over tighten.
7. Flush fitting choke tubes should fit flush with the barrel when properly installed.



Shoot slugs and single bullets only with cylinder choke tubes.

Shoot steel shot only with cylinder or improved cylinder choke tubes.

## WHAT TO DO IF YOUR FIREARM FAILS TO FIRE

1. Misfires – If you squeeze the trigger and the shotshell does not fire, remain in the shooting position and wait a minimum of 30 seconds. Then, cycle the finger lever as previously described on page 15. The misfired shotshell will be ejected from the firearm.
2. Underpowered cartridge – An underpowered shotshell should be unusual if the ammunition is new, clean, and factory loaded. However, if you hear an unusual sound or low report, you should stop shooting immediately, keep the muzzle pointed in a safe direction, and wait a minimum of 30 seconds. Then fully unload your firearm and visually check both chamber and the bore to make sure there is no obstruction.

## CARE AND MAINTENANCE

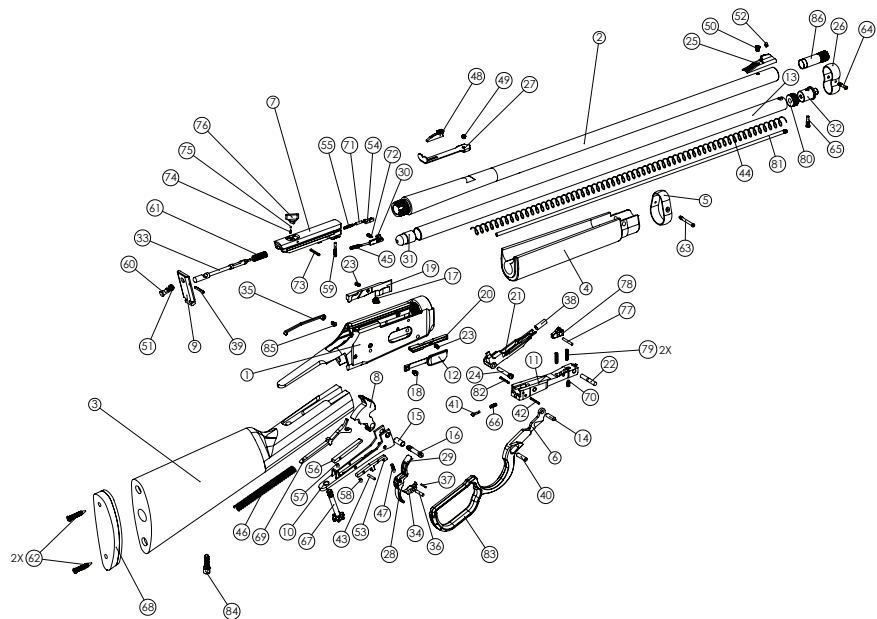


### WARNING

Before cleaning: (1) Keep your finger off the trigger; (2) Point the muzzle in a safe direction; (3) Remove ammunition from the firearm; and (4) Look and feel in the chamber to confirm the firearm is empty. An empty (unloaded) firearm cannot fire.

1. The firearm may be cleaned and lubricated under normal conditions without the need of any disassembly. Do not disassemble the barrel.
2. When disassembly is necessary, such as repair, the firearm should be returned to the factory or sent to a qualified gunsmith.
3. To keep a gun in good condition, it must be kept clean and covered with a light film of good quality gun oil to prevent corrosion. This is especially necessary after use.
4. For normal cleaning of a firearm not used or kept in storage for some time, rub it with a lightly oiled cloth. In the same way, proceed with the bore of the barrel. The barrel should be clean and left free of debris. All excess oil must be removed, but a thin protecting film should remain. Dust should be removed from all crevices with a small, clean plastic brush.
5. For cleaning after shooting, all powder residues should be removed from the barrel and other adjacent areas subject to such deposits with an appropriate brush. If particles of lead are detected in the barrel, they must be scrubbed with a brass brush drenched with solvent. Once cleaned, lubrication should be done as described above. When shooting more than 200 rounds in a single outing, your firearm should be cleaned before further shooting.
6. Do not keep firearms in contact with materials that attract moisture or possess a certain degree of acidity, or in environments with great variation of temperature or of humidity. Avoid the use of cloth holsters or any other moisture retaining material.
7. If the firearm is to be stored for a long period of time, care should be taken with metal surfaces in order to protect them against corrosion.

## EXPLODED VIEW



## PART LIST

1	RECEIVER	36	TRIGGER PIN	70	BOTTOM PLATE SCREW
2	BARREL	37	TRIGGER CONNECTOR PIN	71	EXTRACTOR SPRING PIN
3	STOCK	38	ELEVATOR MAGNET	72	EJECTOR SCREW
4	FOREND	39	FIRING PIN RETAINING PIN	73	SAFETY PIN
5	FOREND BAND	40	BOTTOM PLATE-LEVER	74	SAFETY SPRING
6	LEVER	41	CONNECTION PIN	75	SAFETY DETENT
7	BOLT	42	BOTTOM PLATE DETENT	76	SAFETY
8	HAMMER	43	BOTTOM PLATE DETENT PIN	77	SHELL LATCH PIN
9	LOCKING BLOCK	44	TRIGGER STOP PIN	78	SHELL LATCH
10	LOWER TANG	45	MAGAZINE SPRING	79	SHELL LATCH SPRING
11	BOTTOM PLATE	46	EJECTOR SPRING	80	MAGAZINE SPRING STOPPER
12	LOADING GATE	47	HAMMER SPRING	81	MAGAZINE PLUG
13	MAGAZINE TUBE	48	TRIGGER SPRING	82	LOCKING BLOCK FIXING PIN
14	LEVER-BOLT CONNECTION PIN	49	REAR SIGHT RAMP	83	LEVER LEATHER
15	HAMMER BUSHING	50	REAR SIGHT SCREW	84	SWIVEL STUD (STOCK)
16	HAMMER SCREW	51	RAMP FRONT SIGHT SCREW	85	ELEVATOR SPRING SCREW
17	RECEIVER SCREW	52	STRIKER SPRING		
18	LOADING GATE SCREW	53	BEAD FRONT SIGHT		
19	LEFT CARTRIDGE GUIDE	54	TRIGGER STOP		
20	RIGHT CARTRIDGE GUIDE	55	EXTRACTOR		
21	ELEVATOR	56	EXTRACTOR SPRING		
22	BOTTOM PLATE PIN	57	TRIGGER PRESS		
23	CARTRIDGE GUIDE SCREW	58	TRIGGER PRESS SPRING		
24	ELEVATOR SCREW	59	TRIGGER STOP SPRING		
25	RAMP FRONT SIGHT	60	EXTRACTOR PIN		
26	MAGAZINE TUBE BAND	61	STRIKER		
27	REAR SIGHT	62	FIRING PIN SPRING		
28	TRIGGER	63	RECOIL PAD SCREW		
29	TRIGGER CONNECTOR	64	FOREND BAND SCREW		
30	EJECTOR	65	MAGAZINE TUBE BAND SCREW		
31	MAGAZINE FOLLOWER	66	MAGAZINE CAP SCREW		
32	MAGAZINE CAP	67	BOTTOM PLATE DETENT SPRING		
33	FIRING PIN	68	LOWER TANG SCREW		
34	SEAR	69	RECOIL PAD		
35	ELEVATOR SPRING		HAMMER SPRING GUIDE		

## HERITAGE MANUFACTURING, INC. SERVICE POLICY

Should your firearm require adjustment or repair, contact our Customer Care department at 229-210-2666 or 800-845-3776.

Please follow these suggestions to expedite service in the United States to return any firearm to us for adjustment or repair.

1. Federal law permits you to return your firearm to the manufacturer for service via common carriers. However, state and local firearms laws vary greatly; you should consult your local prosecuting attorney regarding any restrictive laws in your jurisdiction regarding your shipment or receipt of firearms. With the above in mind, it is strongly recommended that any firearm sent to us for repair be sent through a federally licensed dealer.
2. All firearms must be shipped to us prepaid. WE WILL NOT ACCEPT COLLECT SHIPMENTS.
3. Be sure to enclose a letter stating your name, address and telephone number as well as serial number, caliber and barrel length of your firearm. Also state the nature of trouble experienced or work required. Merely stating “defective” or “repair as necessary” is inadequate information. Be specific and enclose copies of any previous correspondence. Work (other than warranty repair) will bear minimum labor charge of \$35.00.
4. FIREARMS MUST BE SHIPPED UNLOADED. Double check the chambers of your firearm before shipping. If firearms are sent to Heritage in a loaded condition, we are required by law to notify the Federal authorities.
5. DO NOT include telescopic sights, custom grips, holsters, or other accessories with any firearm shipped to us.

## PARTS

Firearms require periodic maintenance, inspection, adjustment and repair. If your shotgun has a malfunction, be safe. Stop firing, “clear” and unload the shotgun and take it to a qualified gunsmith. Before shooting it again, contact our Customer Care department if you have any questions.

If water, sand, or other foreign matter gets in your shotgun, thoroughly clean it. Failure to keep your firearm clean and in proper working order can be dangerous.

Our Customer Care department maintains a full stock of replacement parts for current Heritage firearms. Even though most gunsmiths have the knowledge, training and ability to make the necessary repairs to your firearm, the skill and workmanship of any particular gunsmith is totally beyond our control. Should your firearm require service, return it to our Customer Care department. Please refer to Heritage Manufacturing, Inc. Service Policy on the HeritageMfg.com website for information on the policy and shipping, or call 229-210-2666 or 800-845-3776.

Remember, unauthorized adjustments or parts replacement can void your warranty. If you choose to have someone else do the required work, the purchaser and/or installer of parts must accept full responsibility for the correct adjustment and function of the firearm.

## LIMITED WARRANTY

Heritage Range Side Shotgun.

Heritage Manufacturing, Inc. hereby provides the following **ONE-YEAR LIMITED WARRANTY** to the original retail purchaser of the enclosed Heritage Range Side.

### What does the warranty cover and what is its duration?

Heritage Manufacturing, Inc. warrants that the enclosed Range Side Shotgun was made free of defects in material, function, and workmanship. For one (1) year after the date of purchase by the original owner, Heritage Manufacturing, Inc. will remedy any defect in material, function, or workmanship within a reasonable time after written notification and delivery of the firearm. Further, if Heritage Manufacturing, Inc. cannot remedy any such defects after a reasonable number of attempts, Heritage Manufacturing, Inc. will replace the Range Side with the exact or comparable model.

This warranty terminates automatically upon the transfer of the Range Side Shotgun to any individual or entity other than the original retail purchaser.

### How do you obtain warranty service?

Contact Heritage Manufacturing, Inc. in writing to receive warranty service. You may contact Heritage Manufacturing, Inc. by logging onto [www.HeritageMfg.com](http://www.HeritageMfg.com), or in writing: Heritage Manufacturing, Inc., Attn: Warranty Service, 100 Taurus Way, Bainbridge, GA 39817. Please include a description of the claimed issue, along with your name, address, telephone number, proof of purchase or a copy of the ATF Form 4473, product model, serial number, and date of purchase.

Upon receiving your correspondence, Heritage Manufacturing, Inc. will provide instructions regarding your return of the Range Side. Heritage Manufacturing, Inc.'s obligations under this warranty shall not apply if any law, regulation, or governmental requirement prohibits the repair, replacement, or return to the individual who shipped the Heritage Range Side to Heritage Manufacturing, Inc.

### Disclaimer and Limitation of Remedy.

**ANY IMPLIED WARRANTIES OF MERCHANTABILITY IMPARTED BY STATE LAW WILL BE LIMITED TO ONE (1) YEAR.** Under NO CIRCUMSTANCES shall Heritage Manufacturing, Inc. be responsible for incidental or consequential damages with respect to economic loss, injury, death or property damage, whether as a result of breach of this warranty, negligence or otherwise.

Some states do not allow limitations on how long an implied warranty lasts, so the above-limitation may not apply to you.

**ANY AND ALL INCIDENTAL AND CONSEQUENTIAL DAMAGES ARE EXPRESSLY DISCLAIMED UNDER ALL CIRCUMSTANCES.**

Some states do not allow the exclusion or limitation of incidental or consequential damages, so the above limitation or exclusion may not apply to you. This ONE-YEAR LIMITED WARRANTY gives you specific legal rights, and you may also have other rights which vary from state to state.

Heritage Manufacturing, Inc. will not be responsible for:

- 1) Defects or malfunctions resulting from careless handling, unauthorized adjustments or modifications made or attempted by anyone other than a qualified gunsmith following Heritage Manufacturing, Inc. authorized procedures, or failure to follow the disassembly instructions in the Heritage Manufacturing, Inc. manual.
- 2) Use of defective or improper ammunition, reloaded ammunition, corrosion, neglect, abuse, ordinary wear and tear, or unreasonable use.
- 3) Criminal misuse, negligence or use under the influence of drugs or alcohol.

This is the only Warranty extended by Heritage Manufacturing, Inc. covering the Range Side models.



# IMPORTANT DO NOT DISCARD

KEEP THIS MANUAL WITH THE FIREARM UPON CHANGE OF OWNERSHIP.



## HERITAGE MANUFACTURING, INC.

100 Taurus Way  
Bainbridge, GA 39817  
Telephone: 229-515-8099

**HERITAGEMFG.COM**

045-0047-00 Rev. 1