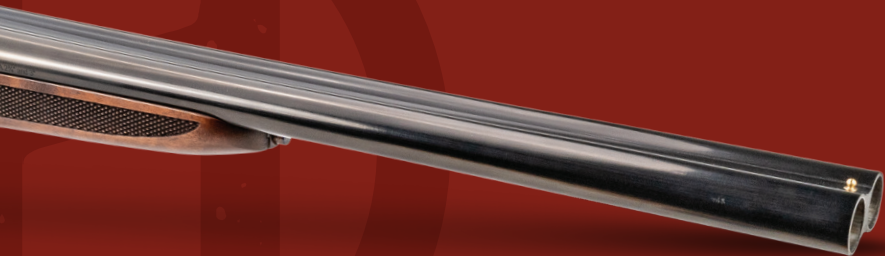




HERITAGE[™]
MANUFACTURING CO.



COACHWHIP

INSTRUCTION MANUAL

GENERAL SAFETY, OPERATING INSTRUCTIONS AND LIMITED WARRANTY

READ CAREFULLY BEFORE USING YOUR FIREARM

Important: Keep this manual with your firearm.

The information contained in this manual is useful, both for beginners and experienced shooters. In addition to important information about the function, cleaning, and care of the firearm, the manual contains instructions that will be very helpful in shooting safety. The most important rule of safe firearm handling is always keep the muzzle pointed in a safe direction.

CONTENTS

- Firearm Safety 5
- Get To Know Your Firearm 8
- Ammunition 10
- Operating Instructions..... 14
- Care and Maintenance..... 20
- Exploded View 22
- Heritage Service Policy 24
- Limited Warranty 26






COACHWHIP

HeritageMfg.com  /heritagemfg  @heritagemfginc  /heritagemfg

WARNING

The safety warnings in this booklet are important. By understanding the dangers inherent in the use of any firearm, and by taking the precautions described herein, you can safely enjoy your Heritage™ firearm. Failure to follow any of these warnings could result in serious injury to you or others, as well as severe damage to the firearm or other property.

SIGNAL WORDS AS DEFINED BY ANSI Z535.6 AND Z535.4 STANDARDS.


 DANGER	DANGER indicates a hazardous situation which, if not avoided, will result in death or serious injury.
 WARNING	WARNING indicates a hazardous situation which, if not avoided, could result in death or serious injury.
 CAUTION	CAUTION indicates a hazardous situation which, if not avoided, could result in minor or moderate injury.
NOTICE	NOTICE is used to address practices not related to physical injury.

FIREARM SAFETY

 DANGER
When a firearm discharges, the bullet or shot can strike a person, resulting in death or serious bodily injury.

The three basic keys to safe handling of firearms:

- 1. KEEP YOUR FINGER OFF THE TRIGGER UNTIL YOU ARE READY TO FIRE.** If you maintain good trigger discipline, it is extremely unlikely the firearm will fire.
- 2. KEEP THE MUZZLE POINTED IN A SAFE DIRECTION.** Even if the firearm discharges, if the muzzle is pointed in a safe direction, no one will be injured.
- 3. NEVER TRUST ANY SAFETY MECHANISM.** If you adopt the attitude that you will not trust any safety mechanism, you will be vigilant about keeping your finger off the trigger and keeping the muzzle pointed in a safe direction.

 WARNING - KNOW YOUR TARGET
Never fire at targets at close range. Ricochets can and do cause death or serious bodily injury. What constitutes "close range" depends on many factors including target material, bullet caliber and angle of impact.

KNOW WHAT IS BEHIND YOUR TARGET. Unless you are shooting into a bullet trap designed to capture the type of ammunition you are firing, projectiles may pass through the target and strike anyone or anything beyond. Bullets can travel miles.

ALWAYS WEAR HEARING PROTECTION. Firearms are loud. The sound they generate is greater indoors. Repeated exposure to loud noises can cause deafness. Hearing protection is rated by decibel reduction. Look for “dB” reduction of 30 or more when purchasing ear protection. Modern ear protection can allow normal hearing until the sound from the discharge reaches the ear. Significant protection can be achieved by layering hearing protection, for example, wearing 30dB rated foam plugs along with 20dB rated ear muffs.

ALWAYS WEAR EYE PROTECTION. In normal operation, firearms emit hot high-velocity gases, particles and metal. These materials flying into your eye can cause blindness. Protect your vision with proper eye protection. Any eye protection may be better than none, but look for ANSI Z87.1-2003 certified eyewear for the best protection.

NEVER HANDLE FIREARMS WHILE UNDER THE INFLUENCE OF DRUGS OR ALCOHOL. Firearms are dangerous. Handling firearms while impaired by drugs or alcohol is foolhardy and can result in serious injury or death. This warning includes prescription drugs that contain a warning about using machinery or driving while taking the medication.

MODIFIED FIREARMS ARE DANGEROUS, AND USE CAN RESULT IN SERIOUS INJURY OR DEATH. “Trigger jobs,” polishing original components or installing aftermarket parts can cause a firearm to function in ways different than intended. Some such work may also be illegal.

DAMAGED FIREARMS ARE DANGEROUS, AND USE CAN RESULT IN SERIOUS INJURY OR DEATH. Repairs should always be made by a qualified gunsmith or by a factory-authorized repair site. Work done by those unfamiliar with the design can cause a firearm to function in ways different than intended.

NEVER ATTEMPT TO DISASSEMBLE OR CLEAN A LOADED FIREARM. DOING SO CAN RESULT IN SERIOUS BODILY INJURY OR DEATH. How often have we heard “But it went off while I was cleaning it!” or, “I did not know it was loaded!” or, “It was jammed, and I tried to take it apart!”?

IF A FIREARM GOES OFF, THERE WAS A ROUND OF AMMUNITION IN THE CHAMBER. Period. “Clear” (or empty) the firearm of all ammunition before disassembling or cleaning.

As owner of your new Heritage shotgun, you are responsible for: (1) Keeping your finger off the triggers; (2) Pointing the muzzle in a safe direction; (3) Removing ammunition from the firearm; and (4) Looking and feeling in the chamber to confirm the firearm is empty. An empty (unloaded) firearm cannot fire.

FIREARM SAFETY SYSTEMS

Firearm safety is supported by a system. With your shotgun, the system is made up of the following:

1. You! Your involvement in safety cannot be overemphasized. No safety component can keep your finger off the trigger(s) and the muzzle pointed in a safe direction. Also, you are the key to never trusting any of the mechanical parts of the safety system.

2. Manual Safety. Always use the manual safety. The manual safety is located on the tang of the receiver and must be manually pressed to the desired position.

3. Trigger Guard. This is a physical obstruction that helps prevent unintended pressing of the trigger. Do not modify the trigger guard.

4. This Manual. Use this manual to learn about your shotgun and to help you use your shotgun safely. If you use the manual, you will be a long way toward being a knowledgeable and safe firearms owner.

5. Online Resources. Heritagemfg.com hosts a library of videos concerning safety and related issues. This library is being supplemented and revised. Please visit the site and take advantage of what is available there as part of your education regarding using your shotgun in a safe fashion.

GET TO KNOW YOUR FIREARM



FIREARMS STORAGE AND GUN LOCKS

How you secure your firearm is a personal choice based on the unique circumstances in your home, business or vehicle and the laws of the state where your firearm is located. Any choice you make about securing your firearms will present advantages and disadvantages. You must weigh those advantages and disadvantages and choose which security method is best for you and those around you.

WARNING - LOCKING

Never lock a loaded firearm. Unlocking a loaded firearm makes it more difficult to maintain trigger discipline and to keep the muzzle pointed in a safe direction.

WARNING

Securing your firearm may inhibit access in a defensive situation and may result in injury or death.

WARNING

Failure to secure a firearm may result in injury or death. Properly securing a firearm means storing your firearm unloaded and securely locked, with all ammunition in a separate location.

AMMUNITION

WARNING

Using the wrong ammunition in your shotgun can result in serious bodily injury and damage to your shotgun. Make certain the ammunition you load is the same gauge as is marked on the shotgun.

WARNING - AMMUNITION AND INDUSTRY STANDARDS

Use only clean, dry factory-loaded ammunition. Old, damaged, wet or oily ammunition may fire at pressures higher than industry standard, causing injury to you and bystanders or damage to your shotgun.

Do not use reloaded ammunition in your shotgun. Its firing pressures are unknown and may well exceed industry standard, causing injury to you and bystanders or damage to your shotgun.

Odd sounds are signs of trouble. If a round "does not sound right" when it goes off, stop firing right away. A shot or the wad may be stuck in the barrel. Firing the shotgun in this condition will cause injury to you and bystanders or damage to your shotgun.

If you hear any odd sounds when shooting, stop firing immediately. If there is any reason to suspect that the barrel is obstructed, immediately unload the firearm and make it clear. Visually inspect the bore for blockage. It is not sufficient to merely look in the chamber. Shot and/or the wad may be lodged in the barrel where it cannot be easily seen. If you do not see light when inspecting the bore, something is stuck in the barrel. Do not fire the shotgun again and take the shotgun to a qualified gunsmith or contact the Heritage Service Department at 229-210-2666 or 800-845-3776.

WARNING

If the bore is obstructed, DO NOT attempt to shoot it out by using another cartridge or by blowing it out with a blank. Such techniques can generate excessive pressure, damage the firearm and cause serious injury.

The use of reloaded, "remanufactured", hand-loaded, or other nonstandard ammunition voids all warranties. Improperly loaded ammunition voids all warranties. Improperly loaded ammunition can be extremely dangerous. Severe damage to the firearm and serious injury to the shooter or to others may result. Always use ammunition that complies with the industry performance standards established by the Sporting Arms and Ammunition Manufacturers Institute, Inc., of the United States, (SAAMI).

WARNING - LEAD AND HAZARDOUS CHEMICAL EXPOSURE

Discharging firearms in poorly ventilated areas, handling, and /or cleaning firearms or handling ammunition can expose you to chemicals including lead which is known to the state of California to cause cancer and birth defects or other reproductive harm. For more information, go to www.P65Warnings.ca.gov

Have adequate ventilation at all times. Wash hands thoroughly after exposure with soap and water.

SHOOTING OR CLEANING GUNS MAY EXPOSE YOU TO LEAD

MANUAL SAFETY

These shotguns are manufactured with a manual safety - USE IT!

To engage the safety:

1. To engage the manual safety, slide the safety rearward towards the buttstock. The safety is on (safe position) when the letter S is fully visible above the manual safety. (Fig. 1)
2. A manual safety is no substitute for safe handling. Keep your finger off the triggers. Always keep your firearm pointed in a safe direction.



Fig. 1

NOTICE

Your shotgun is equipped with the manual safety shown above. A manual safety is no substitute for safe handling.

3. To disengage the safety, push the safety forward towards the barrel. (Fig. 2)
4. If the manual safety is off, pulling the trigger will fire the cartridge!



Fig. 2

ASSEMBLY

The shotgun is packed in a cardboard box in two sub-assemblies; the action/stock assembly and the forend/barrel assembly.

Make sure there are no shells in the chambers.

1. Remove all dirt and excess oil from the gun, especially from the breech area, and inside the barrels.
2. Remove the forend from the barrel by first pushing the button at the tip of the forend with your finger and then pivoting/pulling the forend upward and away from the barrel. (Fig. 3)



3. Lightly oil the already cleaned contact points. Attach barrels to the action by grasping the grip of the stock with your right hand and placing the stock under your right arm. With your right thumb move the opening lever to the right. Now hold the barrels with your free hand and slide the barrels through the top of the receiver, with the muzzle pointing down until the hinge notch engages with the hinge pins. (Fig. 4)



4. Keeping the hinge pin notch engaged with the hinge pin, lift the muzzle up until the action closes. Release the hinge pin and notch and the barrels will be locked in place. (Fig. 5)



NOTICE

If you attempt to close the gun and the barrels bind or don't seem to fit, then the hinge pin and notch are not engaged. DO NOT FORCE, try again.

5. Replace the forearm on the gun by sliding the rear of the forearm into the receiver. Lift the front of the forearm until it engages with the barrel and you hear an audible "click". If the forend release button protrudes after the "click", gently push it in place. (Fig. 6)



LOADING AND OPERATING YOUR FIREARM

1. Slide the safety, located on the tang of the receiver, toward the stock of the gun into the "SAFE" position (Fig. 7)
2. Break the action open by pressing the top lever to the right.
3. Check the barrels for any obstruction, including dirt and excess oil.
4. Insert shot shells into the chambers.
5. Close the action.
6. Before firing your gun, be sure of your target and what is behind it, and the location of all people with you or in your vicinity.
7. With the safety still on, pull the exposed hammer(s) rearward with your thumb to cock the shotgun. (Fig. 8)
8. Pick your target, release the safety by sliding it forward with your thumb, and then pull the trigger with your forefinger to fire the shotgun.
9. To unload, push the top lever to the right and open the action.



WARNING

Obstructions can increase barrel pressure such that the barrel can explode when the gun is fired. Serious injury or death can result. Always check for any obstruction in the barrels.

FIRING INSTRUCTIONS:

1. Make sure that the barrels are pointed in a safe direction until you are on target.
2. Slide the manual safety (located on the tang) forward into the off position.
3. With the safety still on, pull exposed hammer(s) rearward with your thumb to cock the shotgun. You can cock one or both hammers as desired.
4. Firmly shoulder the gun, take aim, and then pull one of the triggers!

DISASSEMBLY

1. Make sure the gun is unloaded and no shells are in the chambers.
2. Close the action. Place the gun butt on your thigh and remove the forend by pressing the forend release button. While pulling the nose of the forend downward from the barrels, slide the forend forward until separated from the barrels.
3. Separate the barrels from the receiver by holding the stock of the gun in one hand and the barrels in the other. Push the top lever to the right with your thumb. Allow the muzzle to drop and lift the barrels upward out of the receiver.
4. Close the top lever by pressing on the button located in the action. (Fig. 9)
5. The gun can now be cleaned.
6. For safety, make sure that hammers are always in the lowered position unless shooting. (Fig. 10)



NOTICE

No further disassembly is required, unless it is done by a qualified gunsmith. Improper functioning or damage to the gun may result otherwise.

You can adjust forend button tightness from the forend lug, on the barrel as shown below. First loosen the 'lock screw' to be able to manipulate the 'tightness screw'. Turn the tightness screw clockwise or counter-clockwise to tighten or soften the forend button locking tightness. Once positioned as preferred, lock by tightening the 'lock screw'. Use proper allen wrenches.



Lock Screw



Tightness Screw

CARE AND MAINTENANCE



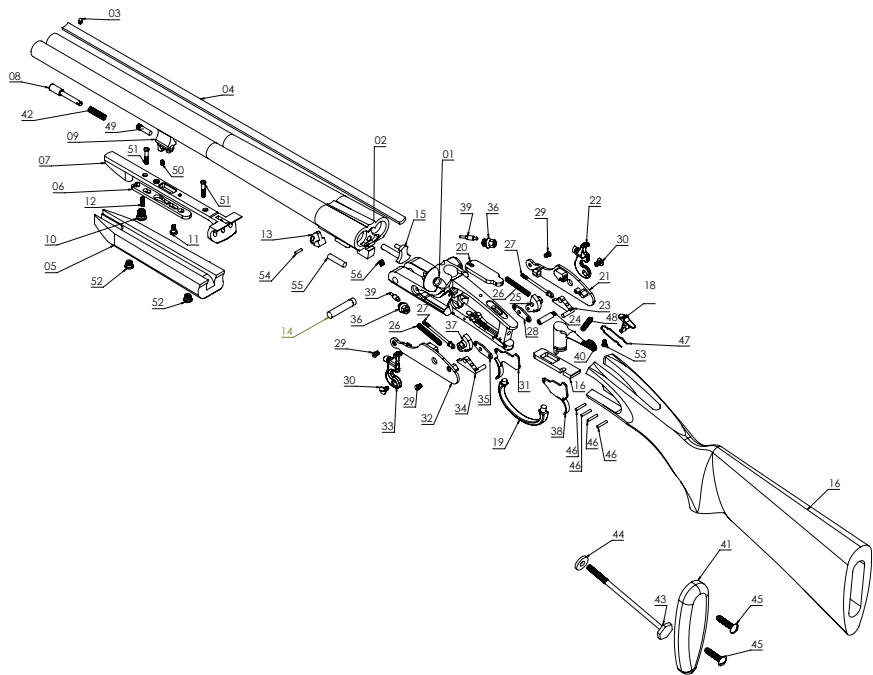
WARNING

Before cleaning: (1) Keep your finger off the triggers; (2) Point the muzzle in a safe direction; (3) Remove ammunition from the firearm; and (4) Look and feel in the chamber(s) to confirm the firearm is empty. An empty (unloaded) firearm cannot fire.

1. The firearm may be cleaned and lubricated under normal conditions without the need of any disassembly. Do not disassemble the barrel.
2. When disassembly is necessary, such as repair, the firearm should be returned to the factory or sent to a qualified gunsmith.
3. To keep a gun in good condition, it must be kept clean and covered with a light film of good quality gun oil to prevent corrosion. This is especially necessary after use.
4. For normal cleaning of a firearm not used or kept in storage for some time, rub it with a lightly oiled cloth. In the same way, proceed with the bore of the barrels. The barrels should be clean and left free of debris. All excess oil must be removed, but a thin protecting film should remain. Dust should be removed from all crevices with a small, clean plastic brush.
5. For cleaning after shooting, all powder residues should be removed from the barrels and other adjacent areas subject to such deposits with an appropriate brush. If particles of lead are detected in the barrels, they must be scrubbed with a brass brush drenched with solvent. Once cleaned, lubrication should be done as described above. When shooting more than 200 rounds in a single outing, your firearm should be cleaned before further shooting.
6. Do not keep firearms in contact with materials that attract moisture or possess a certain degree of acidity, or in environments with great variation of temperature or of humidity. Avoid the use of cloth holsters or any other moisture retaining material.
7. If the firearm is to be stored for a long period of time, care should be taken with metal surfaces in order to protect them against corrosion.

Intentionally left blank

EXPLODED VIEW



PART LIST

1	RECEIVER	34	INNER TRIGGER LEFT
2	BARREL	35	CONNECTOR LEFT
3	FRONT SIGHT	36	FIRING PIN KNOB
4	RIB	37	INNER HAMMER LEFT
5	FOREND	38	TRIGGER (BACK & LEFT)
6	FOREND LOCK FRAME	39	FIRING PIN
7	FOREND IRON	40	TOP LEVER
8	FOREND LOCK BUTTON	41	RECOIL PAD
9	FOREND LUG	42	FOREND LOCK BUTTON SPRING
10	FOREND LOCK SCREW	43	STOCK BOLT
11	POSITION SCREW	44	STOCK BOLT WASHER
12	ADJUSTMENT SCREW	45	RECOIL PAD SCREW
13	EXTRACTOR PULLER	46	RECEIVER ASSEMBLY PINS
14	HINGE BOLT	47	SAFETY BUTTON SPRING
15	EXTRACTOR	48	TOP LEVER SPRING
16	LOCKING PLATE	49	TIGHTNESS ADJUSTMENT SCREW
17	STOCK	50	TIGHTNESS ADJUSTMENT LOCK SCREW
18	SAFETY BUTTON	51	FOREND CAP SCREW
19	TRIGGER GUARD	52	FOREND CAP
20	RECEIVER BOTTOM PLATE	53	SAFETY BUTTON SPRING SCREW
21	RECEIVER RIGHT PLATE	54	EXTRACTOR PULLER PIN
22	HAMMER RIGHT	55	EXTRACTOR PULLER GUIDE
23	INNER TRIGGER RIGHT	56	HINGE BOLT SCREW
24	PLATE FIXING PIN		
25	INNER HAMMER RIGHT		
26	HAMMER SPRING		
27	HAMMER SPRING PIN		
28	CONNECTOR RIGHT		
29	SIDE PLATE SCREW		
30	HAMMER SCREW		
31	TRIGGER (FRONT & RIGHT)		
32	RECEIVER LEFT PLATE		
33	HAMMER LEFT		

HERITAGE MANUFACTURING, INC. SERVICE POLICY

Should your firearm require adjustment or repair, contact our Customer Care department at 229-210-2666 or 800-845-3776.

Please follow these suggestions to expedite service in the United States to return any firearm to us for adjustment or repair.

1. Federal law permits you to return your firearm to the manufacturer for service via common carriers. However, state and local firearms laws vary greatly; you should consult your local prosecuting attorney regarding any restrictive laws in your jurisdiction regarding your shipment or receipt of firearms. With the above in mind, it is strongly recommended that any firearm sent to us for repair be sent through a federally licensed dealer.
2. All firearms must be shipped to us prepaid. WE WILL NOT ACCEPT COLLECT SHIPMENTS.
3. Be sure to enclose a letter stating your name, address and telephone number as well as serial number, caliber and barrel length of your firearm. Also state the nature of trouble experienced or work required. Merely stating “defective” or “repair as necessary” is inadequate information. Be specific and enclose copies of any previous correspondence. Work (other than warranty repair) will bear minimum labor charge of \$35.00.
4. FIREARMS MUST BE SHIPPED UNLOADED. Double check the chambers of your firearm before shipping. If firearms are sent to Heritage in a loaded condition, we are required by law to notify the Federal authorities.
5. DO NOT include telescopic sights, custom grips, holsters, or other accessories with any firearm shipped to us.

PARTS

Firearms require periodic maintenance, inspection, adjustment and repair. If your shotgun has a malfunction, be safe. Stop firing, “clear” and unload the shotgun and take it to a qualified gunsmith. Before shooting it again, contact our Customer Care department if you have any questions.

If water, sand, or other foreign matter gets in your shotgun, thoroughly clean it. Failure to keep your firearm clean and in proper working order can be dangerous.

Our Customer Care department maintains a full stock of replacement parts for current Heritage firearms. Even though most gunsmiths have the knowledge, training and ability to make the necessary repairs to your firearm, the skill and workmanship of any particular gunsmith is totally beyond our control. Should your firearm require service, return it to our Customer Care department. Please refer to Heritage Manufacturing, Inc. Service Policy on the HeritageMfg.com website for information on the policy and shipping, or call 229-210-2666 or 800-845-3776.

Remember, unauthorized adjustments or parts replacement can void your warranty. If you choose to have someone else do the required work, the purchaser and/or installer of parts must accept full responsibility for the correct adjustment and function of the firearm.

LIMITED WARRANTY

Heritage Coachwhip Shotgun.

Heritage Manufacturing, Inc. hereby provides the following **ONE-YEAR LIMITED WARRANTY** to the original retail purchaser of the enclosed Heritage Coachwhip.

What does the warranty cover and what is its duration?

Heritage Manufacturing, Inc. warrants that the enclosed Coachwhip Shotgun was made free of defects in material, function, and workmanship. For one (1) year after the date of purchase by the original owner, Heritage Manufacturing, Inc. will remedy any defect in material, function, or workmanship within a reasonable time after written notification and delivery of the firearm. Further, if Heritage Manufacturing, Inc. cannot remedy any such defects after a reasonable number of attempts, Heritage Manufacturing, Inc. will replace the Coachwhip with the exact or comparable model.

This warranty terminates automatically upon the transfer of the Coachwhip Shotgun to any individual or entity other than the original retail purchaser.

How do you obtain warranty service?

Contact Heritage Manufacturing, Inc. in writing to receive warranty service. You may contact Heritage Manufacturing, Inc. by logging onto www.HeritageMfg.com, or in writing: Heritage Manufacturing, Inc., Attn: Warranty Service, 100 Taurus Way, Bainbridge, GA 39817. Please include a description of the claimed issue, along with your name, address, telephone number, proof of purchase or a copy of the ATF Form 4473, product model, serial number, and date of purchase.

Upon receiving your correspondence, Heritage Manufacturing, Inc. will provide instructions regarding your return of the Coachwhip. Heritage Manufacturing, Inc.'s obligations under this warranty shall not apply if any law, regulation, or governmental requirement prohibits the repair, replacement, or return to the individual who shipped the Heritage Coachwhip to Heritage Manufacturing, Inc.

Disclaimer and Limitation of Remedy.

ANY IMPLIED WARRANTIES OF MERCHANTABILITY IMPARTED BY STATE LAW WILL BE LIMITED TO ONE (1) YEAR. Under NO CIRCUMSTANCES shall Heritage Manufacturing, Inc. be responsible for incidental or consequential damages with respect to economic loss, injury, death or property damage, whether as a result of breach of this warranty, negligence or otherwise.

Some states do not allow limitations on how long an implied warranty lasts, so the above-limitation may not apply to you.

ANY AND ALL INCIDENTAL AND CONSEQUENTIAL DAMAGES ARE EXPRESSLY DISCLAIMED UNDER ALL CIRCUMSTANCES.

Some states do not allow the exclusion or limitation of incidental or consequential damages, so the above limitation or exclusion may not apply to you. This ONE-YEAR LIMITED WARRANTY gives you specific legal rights, and you may also have other rights which vary from state to state.

Heritage Manufacturing, Inc. will not be responsible for:

- 1) Defects or malfunctions resulting from careless handling, unauthorized adjustments or modifications made or attempted by anyone other than a qualified gunsmith following Heritage Manufacturing, Inc. authorized procedures, or failure to follow the disassembly instructions in the Heritage Manufacturing, Inc. manual.
- 2) Use of defective or improper ammunition, reloaded ammunition, corrosion, neglect, abuse, ordinary wear and tear, or unreasonable use.
- 3) Criminal misuse, negligence or use under the influence of drugs or alcohol.

This is the only Warranty extended by Heritage Manufacturing, Inc. covering the Coachwhip models.

IMPORTANT DO NOT DISCARD

KEEP THIS MANUAL WITH THE FIREARM UPON CHANGE OF OWNERSHIP.



HERITAGE MANUFACTURING, INC.

100 Taurus Way
Bainbridge, GA 39817
Telephone: 229-515-8099

HERITAGEMFG.COM

045-0054-00