



HERITAGE[™]
MANUFACTURING CO.



SETTLER

INSTRUCTION MANUAL

GENERAL SAFETY, OPERATING INSTRUCTIONS AND LIMITED WARRANTY

READ CAREFULLY BEFORE USING YOUR FIREARM

Important: Keep this manual with your firearm.

The information contained in this manual is useful, both for beginners and experienced shooters. In addition to important information about the function, cleaning, and care of the firearm, the manual contains instructions that will be very helpful in shooting safety. The most important rule of safe firearm handling is always keep the muzzle pointed in a safe direction.

CONTENTS

- Firearm Safety 5
- Get To Know Your Rifle 8
- Ammunition 10
- Operating Instructions..... 12
- Care and Maintenance..... 21
- Exploded View 22
- Heritage Service Policy 24
- Limited Warranty 26






SETTLER

HeritageMfg.com  /heritagemfg  @heritagemfginc  /heritagemfg

WARNING

The safety warnings in this booklet are important. By understanding the dangers inherent in the use of any firearm, and by taking the precautions described herein, you can safely enjoy your Heritage™ firearm. Failure to follow any of these warnings could result in serious injury to you or others, as well as severe damage to the firearm or other property.

SIGNAL WORDS AS DEFINED BY ANSI Z535.6 AND Z535.4 STANDARDS.


 DANGER	DANGER indicates a hazardous situation which, if not avoided, will result in death or serious injury.
 WARNING	WARNING indicates a hazardous situation which, if not avoided, could result in death or serious injury.
 CAUTION	CAUTION indicates a hazardous situation which, if not avoided, could result in minor or moderate injury.
NOTICE	NOTICE is used to address practices not related to physical injury.

FIREARM SAFETY

 DANGER
When a firearm discharges, the bullet or shot can strike a person, resulting in death or serious bodily injury.

The three basic keys to safe handling of firearms:

- 1. KEEP YOUR FINGER OFF THE TRIGGER UNTIL YOU ARE READY TO FIRE.** If you maintain good trigger discipline, it is extremely unlikely the firearm will fire.
- 2. KEEP THE MUZZLE POINTED IN A SAFE DIRECTION.** Even if the firearm discharges, if the muzzle is pointed in a safe direction, no one will be injured.
- 3. NEVER TRUST ANY SAFETY MECHANISM.** If you adopt the attitude that you will not trust any safety mechanism, you will be vigilant about keeping your finger off the trigger and keeping the muzzle pointed in a safe direction.

 WARNING - KNOW YOUR TARGET
Never fire at targets at close range. Ricochets can and do cause death or serious bodily injury. What constitutes "close range" depends on many factors including target material, bullet caliber and angle of impact.

KNOW WHAT IS BEHIND YOUR TARGET. Unless you are shooting into a bullet trap designed to capture the type of ammunition you are firing, projectiles may pass through the target and strike anyone or anything beyond. Bullets can travel miles.

ALWAYS WEAR HEARING PROTECTION. Firearms are loud. The sound they generate is greater indoors. Repeated exposure to loud noises can cause deafness. Hearing protection is rated by decibel reduction. Look for “dB” reduction of 30 or more when purchasing ear protection. Modern ear protection can allow normal hearing until the sound from the discharge reaches the ear. Significant protection can be achieved by layering hearing protection, for example, wearing 30dB rated foam plugs along with 20dB rated ear muffs.

ALWAYS WEAR EYE PROTECTION. In normal operation, firearms emit hot high-velocity gases, particles and metal. These materials flying into your eye can cause blindness. Protect your vision with proper eye protection. Any eye protection may be better than none, but look for ANSI Z87.1-2003 certified eyewear for the best protection.

NEVER HANDLE FIREARMS WHILE UNDER THE INFLUENCE OF DRUGS OR ALCOHOL. Firearms are dangerous. Handling firearms while impaired by drugs or alcohol is foolhardy and can result in serious injury or death. This warning includes prescription drugs that contain a warning about using machinery or driving while taking the medication.

MODIFIED FIREARMS ARE DANGEROUS, AND USE CAN RESULT IN SERIOUS INJURY OR DEATH. “Trigger jobs,” polishing original components or installing aftermarket parts can cause a firearm to function in ways different than intended. Some such work may also be illegal.

DAMAGED FIREARMS ARE DANGEROUS, AND USE CAN RESULT IN SERIOUS INJURY OR DEATH. Repairs should always be made by a qualified gunsmith or by a factory-authorized repair site. Work done by those unfamiliar with the design can cause a firearm to function in ways different than intended.

NEVER ATTEMPT TO DISASSEMBLE OR CLEAN A LOADED FIREARM. DOING SO CAN RESULT IN SERIOUS BODILY INJURY OR DEATH. How often have we heard “But it went off while I was cleaning it!” or, “I did not know it was loaded!” or, “It was jammed, and I tried to take it apart!”?

IF A FIREARM GOES OFF, THERE WAS A ROUND OF AMMUNITION IN THE CHAMBER. Period. “Clear” (or empty) the firearm of all ammunition before disassembling or cleaning.

As owner of your new Heritage Firearm, you are responsible for: (1) Keeping your finger off the trigger; (2) Pointing the muzzle in a safe direction; (3) Removing ammunition from the firearm; and (4) Looking and feeling in the chamber to confirm the firearm is empty. An empty (unloaded) firearm cannot fire.

FIREARM SAFETY SYSTEMS

Firearm safety is supported by a system. With your rifle, the system is made up of the following:

1. You! Your involvement in safety cannot be overemphasized. No safety component can keep your finger off the trigger and the muzzle pointed in a safe direction. Also, you are the key to never trusting any of the mechanical parts of the safety system.

2. Manual Safety. Always use the manual safety. The manual safety button is located at the rear of the receiver and must be manually pressed to the desired position.

3. Trigger Guard. This is a physical obstruction that helps prevent unintended pressing of the trigger. Do not modify the trigger guard.

4. This Manual. Use this manual to learn about your rifle and to help you use your rifle safely. If you use the manual, you will be a long way toward being a knowledgeable and safe firearms owner.

5. Online Resources. Heritagemfg.com hosts a library of videos concerning safety and related issues. This library is being supplemented and revised. Please visit the site and take advantage of what is available there as part of your education regarding using your rifle in a safe fashion.



Manual Safety ON



Manual Safety OFF

GET TO KNOW YOUR RIFLE



FIREARMS STORAGE AND GUN LOCKS

How you secure your firearm is a personal choice based on the unique circumstances in your home, business or vehicle and the laws of the state where your firearm is located. Any choice you make about securing your firearms will present advantages and disadvantages. You must weigh those advantages and disadvantages and choose which security method is best for you and those around you.



WARNING - LOCKING

Never lock a loaded firearm. Unlocking a loaded firearm makes it more difficult to maintain trigger discipline and to keep the muzzle pointed in a safe direction.



WARNING

Securing your firearm may inhibit access in a defensive situation and may result in injury or death.



WARNING

Failure to secure a firearm may result in injury or death. Properly securing a firearm means storing your firearm unloaded and securely locked, with all ammunition in a separate location.

AMMUNITION

WARNING

Using the wrong ammunition in your rifle can result in serious bodily injury and damage to your rifle. Make certain the ammunition you load is the same caliber as is marked on the rifle.

WARNING - AMMUNITION AND INDUSTRY STANDARDS

Use only clean, dry factory-loaded ammunition. Old, damaged, wet or oily ammunition may fire at pressures higher than industry standard, causing injury to you and bystanders or damage to your rifle.

Do not use reloaded ammunition in your rifle. Its firing pressures are unknown and may well exceed industry standard, causing injury to you and bystanders or damage to your rifle.

Odd sounds are signs of trouble. If a round "does not sound right" when it goes off, stop firing right away. A bullet may be stuck in the barrel. Firing the rifle in this condition will cause injury to you and bystanders or damage to your rifle.

If you hear any odd sounds when shooting, stop firing immediately. If there is any reason to suspect that the barrel is obstructed, immediately unload the firearm and make it clear. Visually inspect the bore for blockage. It is not sufficient to merely look in the chamber. Shot and/or the wad or the bullet may be lodged in the barrel where it cannot be easily seen. If you do not see light when inspecting the bore, something is stuck in the barrel. Do not fire the rifle again and take the rifle to a qualified gunsmith or contact the Heritage Service Department at 229-210-2666 or 800-845-3776.

WARNING

If the bore is obstructed, DO NOT attempt to shoot it out by using another cartridge or by blowing it out with a blank. Such techniques can generate excessive pressure, damage the firearm and cause serious injury.

The use of reloaded, "remanufactured," hand-loaded, or other nonstandard ammunition voids all warranties. Improperly loaded ammunition voids all warranties. Improperly loaded ammunition can be extremely dangerous. Severe damage to the firearm and serious injury to the shooter or to others may result. Always use ammunition that complies with the industry performance standards established by the Sporting Arms and Ammunition Manufacturers Institute, Inc., of the United States, (SAAMI).

WARNING - LEAD AND HAZARDOUS CHEMICAL EXPOSURE

Discharging firearms in poorly ventilated areas, handling, and /or cleaning firearms or handling ammunition can expose you to chemicals including lead which is known to the state of California to cause cancer and birth defects or other reproductive harm. For more information, go to www.P65Warnings.ca.gov

Have adequate ventilation at all times. Wash hands thoroughly after exposure with soap and water.

SHOOTING OR CLEANING GUNS MAY EXPOSE YOU TO LEAD

OPERATING INSTRUCTIONS

Your rifle is equipped with a manual safety. Use it! Please read the manual safety function below to learn how to properly use it.

MANUAL SAFETY

THESE FIREARMS ARE MANUFACTURED WITH A MANUAL SAFETY - USE IT!



Manual Safety ON



Manual Safety OFF

WARNING

Your firearm is equipped with the manual safety shown above. A manual safety is no substitute for safe, smart firearm handling.

The manual safety button is located at the rear of the receiver. To engage the manual safety, push the manual safety button from left to right so the RED band is not visible.

To disengage the manual safety, push the manual safety button from right to left. In the disengaged (off) position, the RED band will be visible indicating that the rifle is ready to fire.

WARNING

Do not touch the trigger while the safety button is being engaged. Never keep pressure on the trigger while closing the bolt, even if the manual safety is engaged.

HOW TO PLACE THE HAMMER IN THE HALF-COCKED POSITION

Always use your manual safety when handling your rifle. Your rifle also features a conventional 3 position hammer. The three positions are: all the way down, half-cocked and fully cocked. When the manual safety is not in use, your firearm should always be kept with the hammer in the half-cocked position to prevent accidental discharges. It is critical you learn how to properly and safely move the hammer to the half-cocked position.

Always keep the gun pointed in a safe direction. With the hammer in the fired (down) position (Fig. 1), cock the hammer back slightly about a 1/16th to a 1/8th of an inch, until you feel and hear the hammer click into the half-cocked position (Fig. 2). The hammer will now be locked into the half-cocked position, and if you pull the trigger to fire, the hammer should not fall. The second way to set the hammer to the half-cocked position is from the full-cock position. You need to learn and practice this with an unloaded firearm and become very proficient with this procedure.

If you let the hammer drop on a loaded chamber, the gun will fire. Always keep the gun pointed in a safe direction. With the firearm pointed in a safe direction, firmly hold the hammer back with your thumb. While holding the hammer, apply just enough pressure on the trigger to release the hammer from the full-cock position. Remove your finger from the trigger and slowly lower the hammer into the half-cocked position. The hammer will now be locked into the half-cocked position and, if you pull the trigger to fire, the hammer should not fall. The essential maneuver of setting the hammer this way is to maintain control of the hammer while quickly removing your finger from the trigger when dropping the hammer into the half-cocked position. Practice with an unloaded firearm!



Hammer in the fired position. All the way down.



Hammer in the half-cocked position.



Hammer in the fully cocked position.

WARNING

When the chamber is loaded, never place the hammer in the fired (down) position (page 13).

WARNING

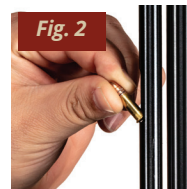
You should practice this method with an empty firearm until you are completely familiar and proficient with this procedure.

LOADING YOUR FIREARM

Point the muzzle in a safe direction and open the action to make sure the chamber is empty. Make certain that the barrel, receiver, and chamber are free from any grease, oil, debris, or any other obstruction before loading. Use only name-brand factory new ammunition. Close the action and lower the hammer all the way down. While keeping the muzzle pointed in a safe direction, twist the inner magazine tube by disengaging the magazine Button (Fig.1) and pulling the tube out until the green-colored follower is visible through and clears the loading port in the outer magazine tube. Next, with the muzzle pointed upward, insert the rimmed end of the cartridges into the magazine (Fig. 2) and allow them to slide down toward the action. Do not exceed the capacity of the magazine.



Then, push the inner magazine tube back down into position and lock it into place. Be careful when pushing the inner magazine tube in, as it is under spring tension. Keep the muzzle and the magazine tube pointed in a safe direction.



If a cartridge is stuck in the barrel and you are unsure if it fired or not: Keep the muzzle pointed in a safe direction. Treat it as a live round and handle in accordance with “WHAT TO DO IF YOUR FIREARM FAILS TO FIRE” ON PAGE 21.

WARNING

The danger of personal injury or death associated with cartridges, fired or unfired, becoming stuck in a firearm can be avoided by using new, clean, factory loaded ammunition and never forcing ammunition into a chamber. If you have to force ammunition into the chamber, something is wrong! Stop! And take the rifle to a qualified gunsmith.

WARNING - ANY GUN MAY FIRE IF DROPPED

If dropped or struck, the rifle may fire. Keep the chamber empty unless actually firing!

WARNING

If dropped or struck the firearm should be inspected by a trained armorer/gunsmith for a complete function check. After the firearm was dropped or struck, it may not function as intended resulting in accidental death or serious injury.

ADJUSTING SIGHTS

1. Check the firearm to ensure it is unloaded. Keep the muzzle pointed in a safe direction.
2. Elevation Adjustment: To adjust elevation on the rear sight, pull the rear sight upward using one hand, and with the other hand, move the elevator forward to make the sight shorter or rearward to make the sight taller. The taller you set the rear sight, the higher the point of impact will be.
3. Windage Adjustment: To adjust the windage, simply move the front sight left or right by tapping it carefully using a brass punch and a hammer. (If the shot is left of the target, move the front sight to the left. If the shot is right of the target, move the front sight to the right.)



Elevation Adjustment



Windage Adjustment

TO FIRE

WARNING

Always be sure the firearm is pointed at the target and away from other people, buildings and vehicles before firing. Do not fire into water. When finished shooting, immediately set the manual safety to the safe position by pushing the safety button from left to right. (red band covered).

With the gun pointed at the target and the magazine tube loaded, swing the finger-lever forward, then back. This movement will remove a fresh cartridge from the magazine tube, load it into the chamber and cock the hammer to make the action ready for shooting. The gun is now loaded and cocked. With the action completely closed, aim at the target, set the manual safety to the fire position (red band exposed), and then press the trigger to fire the firearm.



Swinging the Finger-Lever



Loaded, Cocked and Ready to Shoot

WARNING

Keep your finger off the trigger when cycling the finger lever. Keep the manual safety in the safe position until you are on target. Failure to do so can result in accidental death and serious injury.

UNLOADING YOUR FIREARM

The proper steps for unloading your firearm are below:

REMEMBER: keep the firearm's muzzle pointed in safe direction during each step!

1. Press the manual safety to the off position (red band visible).
2. Eject the cartridge from the chamber by pushing the finger lever forward. Keep the finger lever in the forward position. Do NOT cycle the lever back.
3. With the chamber open (finger lever forward), press the manual safety to the on position (no visible red band).
4. Locate the inner magazine tube's plastic cap, turn counter clockwise (see Fig. 1), and then remove the inner tube.
5. With the firearm still pointed in a safe direction, elevate the stock higher than the muzzle which will allow for the live rounds to fall free of the inner magazine tube.



WARNING

Always make sure the breech bolt will open in a safe direction and that the unfired cartridges will fall on a safe place. Cartridges ejecting from the chamber can cause injury. ALWAYS INSPECT THE BARREL AND BORE FROM THE EJECTION PORT SIDE TO MAKE SURE THAT THE CHAMBER IS EMPTY.

WHAT TO DO IF YOUR FIREARM FAILS TO FIRE

1. Misfires – If you squeeze the trigger and the cartridge does not fire, remain in the shooting position and wait a minimum of 30 seconds. Then, cycle the finger lever as previously described on page 15. The misfired cartridge will be ejected from the firearm.
2. Underpowered cartridge – An underpowered cartridge should be unusual if the ammunition is new, clean, and factory loaded. However, if you hear an unusual sound or low report, you should stop shooting immediately, keep the muzzle pointed in a safe direction, and wait a minimum of 30 seconds. Then fully unload your firearm and visually check both chamber and the bore to make sure there is no obstruction.

CARE AND MAINTENANCE

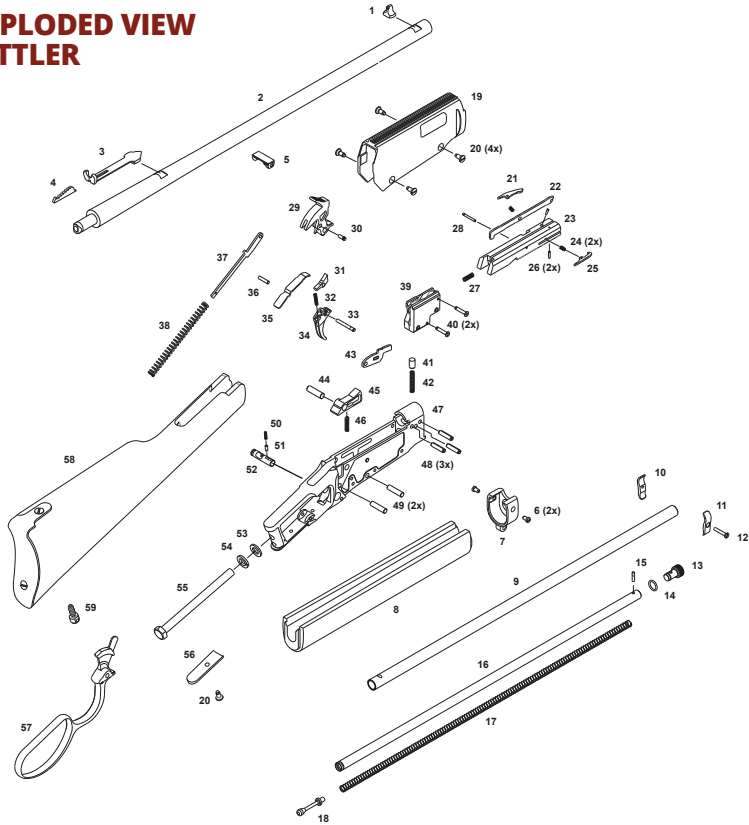


WARNING

Before cleaning: (1) Keep your finger off the trigger; (2) Point the muzzle in a safe direction; (3) Remove ammunition from the firearm; and (4) Look and feel in the chamber to confirm the firearm is empty. An empty (unloaded) firearm cannot fire.

1. The firearm may be cleaned and lubricated under normal conditions without the need of any disassembly. Do not disassemble the barrel.
2. When disassembly is necessary, such as repair, the firearm should be returned to the factory or sent to a qualified gunsmith.
3. To keep a gun in good condition, it must be kept clean and covered with a light film of good quality gun oil to prevent corrosion. This is especially necessary after use.
4. For normal cleaning of a firearm not used or kept in storage for some time, rub it with a lightly oiled cloth. In the same way, proceed with the bore of the barrel. The barrel should be clean and left free of debris. All excess oil must be removed, but a thin protecting film should remain. Dust should be removed from all crevices with a small, clean plastic brush.
5. For cleaning after shooting, all powder residues should be removed from the barrel and other adjacent areas subject to such deposits with an appropriate brush. If particles of lead are detected in the barrel, they must be scrubbed with a brass brush drenched with solvent. Once cleaned, lubrication should be done as described above. When shooting more than 200 rounds in a single outing, your firearm should be cleaned before further shooting.
6. Do not keep firearms in contact with materials that attract moisture or possess a certain degree of acidity, or in environments with great variation of temperature or of humidity. Avoid the use of cloth holsters or any other moisture retaining material.
7. If the firearm is to be stored for a long period of time, care should be taken with metal surfaces in order to protect them against corrosion.

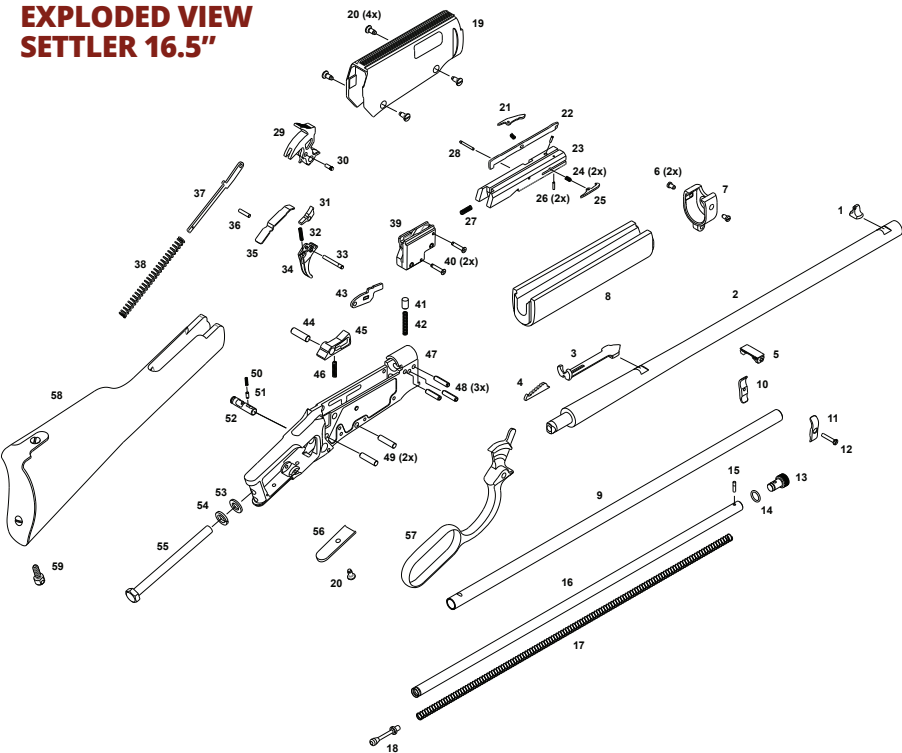
EXPLODED VIEW SETTLER



PART LIST

1	FRONT SIGHT	31	LOCKING HAMMER
2	BARREL	32	TRIGGER SPRING
3	REAR SIGHT	33	TRIGGER PIN
4	REAR SIGHT ELEVATOR	34	TRIGGER
5	FOREARM COVER SUPPORT	35	LOCKING HAMMER SPRING
6	FOREARM COVER SCREW	36	LOCKING HAMMER PIN SPRING
7	FOREARM COVER	37	MAIN SPRING ROD
8	FOREARM	38	HAMMER SPRING
9	OUTER TUBE	39	CARTRIDGE GUIDE
10	BARREL BAND LEFT	40	CARTRIDGE GUIDE SCREW
11	BARREL BAND RIGHT	41	CARRIER PLUNGER
12	BARREL BAND SCREW	42	CARRIER SPRING
13	MAGAZINE BUTTON	43	CARRIER
14	O'RING	44	LOCKING BOLT PIN
15	FRICTION STUD STOP PIN	45	LOCKING BOLT
16	INNER TUBE	46	LOCKING BOLT SPRING
17	MAGAZINE SPRING	47	RECEIVER
18	MAGAZINE FOLLOWER	48	EXPANSION PIN
19	RECEIVER COVER	49	LEVER / HAMMER PIN
20	RECEIVER COVER AND BOTTOM SCREW	50	SAFETY SPRING
21	LEFT EXTRACTOR	51	SAFETY FOLLOWER
22	FIRING PIN	52	SAFETY
23	BOLT	53	WASHER
24	EXTRACTOR SPRING	54	LOCK WASHER
25	RIGHT EXTRACTOR	55	STOCK SCREW
26	EXTRACTOR PIN	56	BOTTOM RECEIVER COVER
27	FIRING PIN SPRING	57	FINGER LEVER
28	RETAINING PIN	58	STOCK
29	HAMMER	59	BANDOLIER SUPPORT SCREW
30	PIN		

EXPLODED VIEW SETTLER 16.5"



PART LIST

1	FRONT SIGHT	31	LOCKING HAMMER
2	BARREL	32	TRIGGER SPRING
3	REAR SIGHT	33	TRIGGER PIN
4	REAR SIGHT ELEVATOR	34	TRIGGER
5	FOREARM COVER SUPPORT	35	LOCKING HAMMER SPRING
6	FOREARM COVER SCREW	36	LOCKING HAMMER PIN SPRING
7	FOREARM COVER	37	MAIN SPRING ROD
8	FOREARM	38	HAMMER SPRING
9	OUTER TUBE	39	CARTRIDGE GUIDE
10	BARREL BAND LEFT	40	CARTRIDGE GUIDE SCREW
11	BARREL BAND RIGHT	41	CARRIER PLUNGER
12	BARREL BAND SCREW	42	CARRIER SPRING
13	MAGAZINE BUTTON	43	CARRIER
14	O'RING	44	LOCKING BOLT PIN
15	FRICTION STUD STOP PIN	45	LOCKING BOLT
16	INNER TUBE	46	LOCKING BOLT SPRING
17	MAGAZINE SPRING	47	RECEIVER
18	MAGAZINE FOLLOWER	48	EXPANSION PIN
19	RECEIVER COVER	49	LEVER / HAMMER PIN
20	RECEIVER COVER AND BOTTOM SCREW	50	SAFETY SPRING
21	LEFT EXTRACTOR	51	SAFETY FOLLOWER
22	FIRING PIN	52	SAFETY
23	BOLT	53	WASHER
24	EXTRACTOR SPRING	54	LOCK WASHER
25	RIGHT EXTRACTOR	55	STOCK SCREW
26	EXTRACTOR PIN	56	BOTTOM RECEIVER COVER
27	FIRING PIN SPRING	57	FINGER LEVER
28	RETAINING PIN	58	STOCK
29	HAMMER	59	BANDOLIER SUPPORT SCREW
30	PIN		

HERITAGE MANUFACTURING, INC. SERVICE POLICY

Should your firearm require adjustment or repair, contact our Customer Care department at 229-210-2666 or 800-845-3776.

Please follow these suggestions to expedite service in the United States to return any firearm to us for adjustment or repair.

1. Federal law permits you to return your firearm to the manufacturer for service via common carriers. However, state and local firearms laws vary greatly; you should consult your local prosecuting attorney regarding any restrictive laws in your jurisdiction regarding your shipment or receipt of firearms. With the above in mind, it is strongly recommended that any firearm sent to us for repair be sent through a federally licensed dealer.

2. All firearms must be shipped to us prepaid. WE WILL NOT ACCEPT COLLECT SHIPMENTS.

3. Be sure to enclose a letter stating your name, address and telephone number as well as serial number, caliber and barrel length of your firearm. Also state the nature of trouble experienced or work required. Merely stating “defective” or “repair as necessary” is inadequate information. Be specific and enclose copies of any previous correspondence. Work (other than warranty repair) will bear minimum labor charge of \$35.00.

4. FIREARMS MUST BE SHIPPED UNLOADED. Double check the chambers of your firearm before shipping. If firearms are sent to Heritage in a loaded condition, we are required by law to notify the Federal authorities.

5. DO NOT include telescopic sights, custom grips, holsters, or other accessories with any firearm shipped to us.

PARTS

Firearms require periodic maintenance, inspection, adjustment and repair. If your rifle has a malfunction, be safe. Stop firing, “clear” and unload the rifle and take it to a qualified gunsmith. Before shooting it again, contact our Customer Care department if you have any questions.

If water, sand, or other foreign matter gets in your rifle, thoroughly clean it. Failure to keep your firearm clean and in proper working order can be dangerous.

Our Customer Care department maintains a full stock of replacement parts for current Heritage firearms. Even though most gunsmiths have the knowledge, training and ability to make the necessary repairs to your firearm, the skill and workmanship of any particular gunsmith is totally beyond our control. Should your firearm require service, return it to our Customer Care department. Please refer to Heritage Manufacturing, Inc. Service Policy on the HeritageMfg.com website for information on the policy and shipping, or call 229-210-2666 or 800-845-3776.

Remember, unauthorized adjustments or parts replacement can void your warranty. If you choose to have someone else do the required work, the purchaser and/or installer of parts must accept full responsibility for the correct adjustment and function of the firearm.

LIMITED WARRANTY

Heritage Settler Rifle.

Heritage Manufacturing, Inc. hereby provides the following **ONE-YEAR LIMITED WARRANTY** to the original retail purchaser of the enclosed Heritage Settler.

What does the warranty cover and what is its duration?

Heritage Manufacturing, Inc. warrants that the enclosed Settler Rifle was made in the USA free of defects in material, function, and workmanship. For one (1) year after the date of purchase by the original owner, Heritage Manufacturing, Inc. will remedy any defect in material, function, or workmanship within a reasonable time after written notification and delivery of the firearm. Further, if Heritage Manufacturing, Inc. cannot remedy any such defects after a reasonable number of attempts, Heritage Manufacturing, Inc. will replace the Settler with the exact or comparable model.

This warranty terminates automatically upon the transfer of the Settler Rifle to any individual or entity other than the original retail purchaser.

How do you obtain warranty service?

Contact Heritage Manufacturing, Inc. in writing to receive warranty service. You may contact Heritage Manufacturing, Inc. by logging onto www.HeritageMfg.com, or in writing: Heritage Manufacturing, Inc., Attn: Warranty Service, 100 Taurus Way, Bainbridge, GA 39817. Please include a description of the claimed defect, along with your name, address, telephone number, proof of purchase or a copy of the ATF Form 4473, product model, serial number, and date of purchase.

Upon receiving your correspondence, Heritage Manufacturing, Inc. will provide instructions regarding your return of the Settler. Heritage Manufacturing, Inc.'s obligations under this warranty shall not apply if any law, regulation, or governmental requirement prohibits the repair, replacement, or return to the individual who shipped the Heritage Settler to Heritage Manufacturing, Inc.

Disclaimer and Limitation of Remedy.

ANY IMPLIED WARRANTIES OF MERCHANTABILITY IMPARTED BY STATE LAW WILL BE LIMITED TO ONE (1) YEAR. Under NO CIRCUMSTANCES shall Heritage Manufacturing, Inc. be responsible for incidental or consequential damages with respect to economic loss, injury, death or property damage, whether as a result of breach of this warranty, negligence or otherwise.

Some states do not allow limitations on how long an implied warranty lasts, so the above-limitation may not apply to you.

ANY AND ALL INCIDENTAL AND CONSEQUENTIAL DAMAGES ARE EXPRESSLY DISCLAIMED UNDER ALL CIRCUMSTANCES.

Some states do not allow the exclusion or limitation of incidental or consequential damages, so the above limitation or exclusion may not apply to you. This ONE-YEAR LIMITED WARRANTY gives you specific legal rights, and you may also have other rights which vary from state to state.

Heritage Manufacturing, Inc. will not be responsible for:

- 1) Defects or malfunctions resulting from careless handling, unauthorized adjustments or modifications made or attempted by anyone other than a qualified gunsmith following Heritage Manufacturing, Inc. authorized procedures, or failure to follow the disassembly instructions in the Heritage Manufacturing, Inc. manual.
- 2) Use of defective or improper ammunition, reloaded ammunition, corrosion, neglect, abuse, ordinary wear and tear, or unreasonable use.
- 3) Criminal misuse, negligence or use under the influence of drugs or alcohol.

This is the only Warranty extended by Heritage Manufacturing, Inc. covering the Settler models.

NOTES

IMPORTANT DO NOT DISCARD

KEEP THIS MANUAL WITH THE FIREARM UPON CHANGE OF OWNERSHIP.



HERITAGE MANUFACTURING, INC.

100 Taurus Way
Bainbridge, GA 39817
Telephone: 229-515-8099

HERITAGEMFG.COM

020.0291 – revision 00